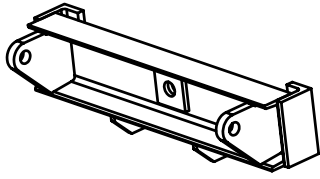
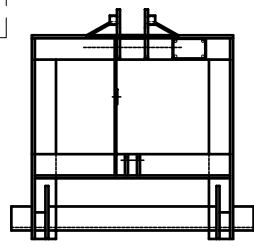




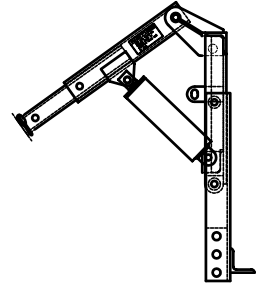
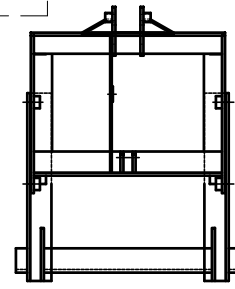
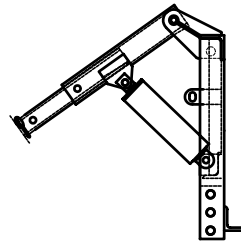
HENDERSON HITCHES



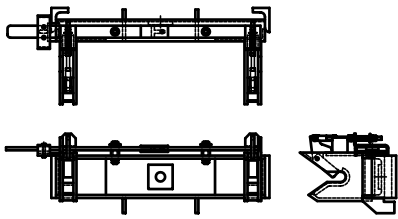
PIN HITCH
Plow Portion
21", 30.5" AND 33.5"



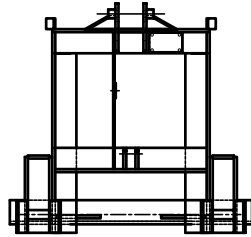
LOW PROFILE PIN HITCH
Truck Portion
30.5" - 33.5" - 21"/30.5" COMBO



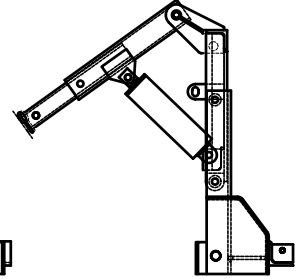
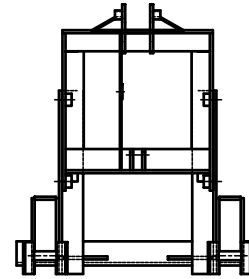
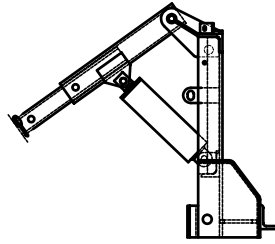
MANUAL TILT PIN HITCH
Truck Portion
30.5" - 33.5" - 21"/30.5" COMBO



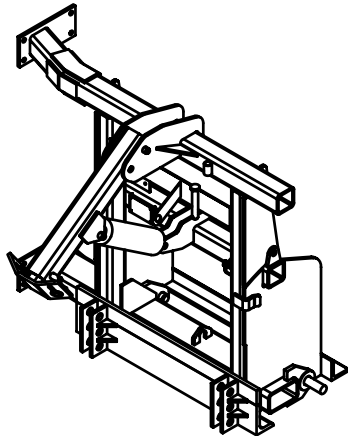
QUICK HITCH
Plow Portion
30.5" and 33.5"



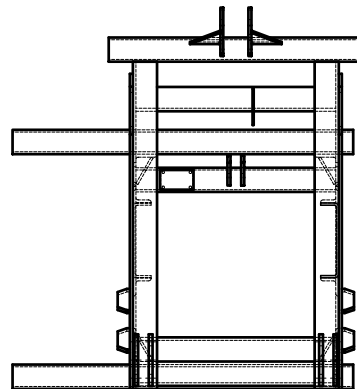
LOW PROFILE QUICK HITCH
Truck Portion
30.5" and 33.5"



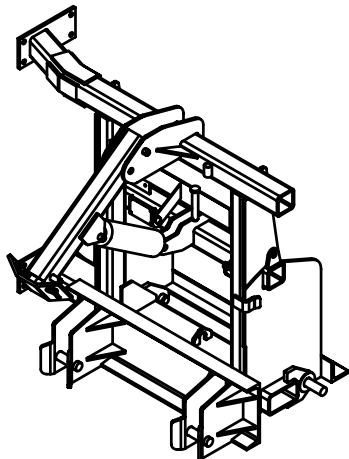
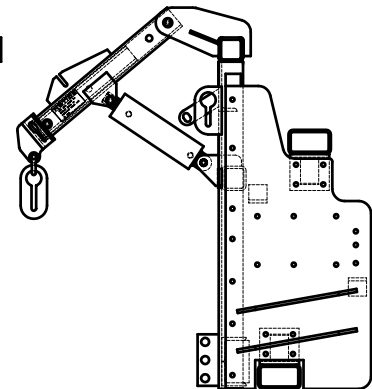
MANUAL TILT QUICK HITCH
Truck Portion
30.5" and 33.5"



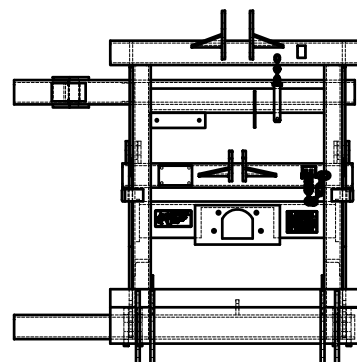
POWER TILT WING
PIN HITCH
Truck Portion



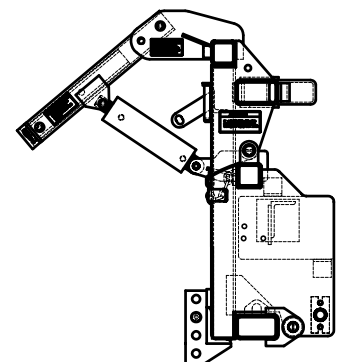
NON-TILT HD WING PIN HITCH
Truck Portion



POWER TILT WING
QUICK HITCH
Truck Portion

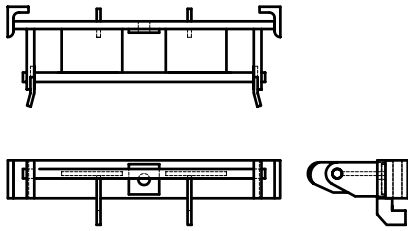


POWER TILT HD WING PIN HITCH
Truck Portion

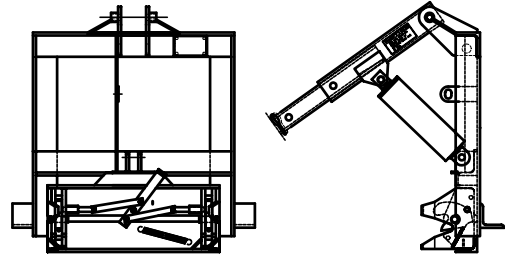




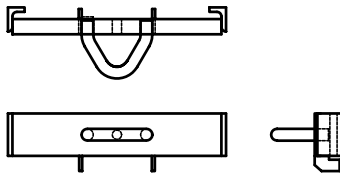
HENDERSON HITCHES



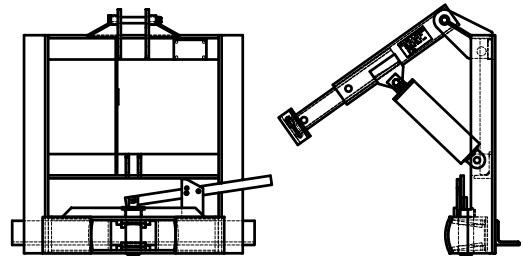
QUICK LINK
Plow Portion



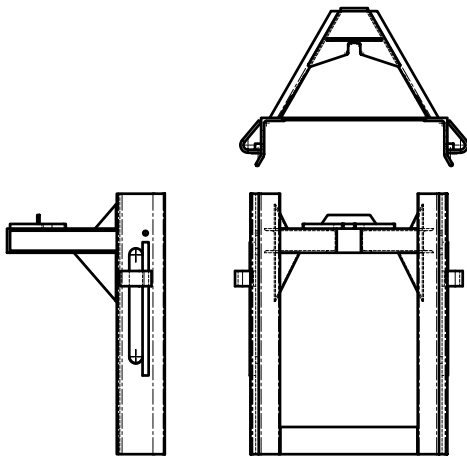
QUICK LINK
Truck Portion



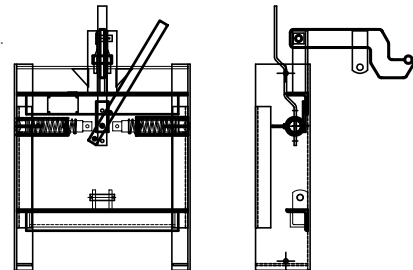
OSCILLATING LOOP
Plow Portion



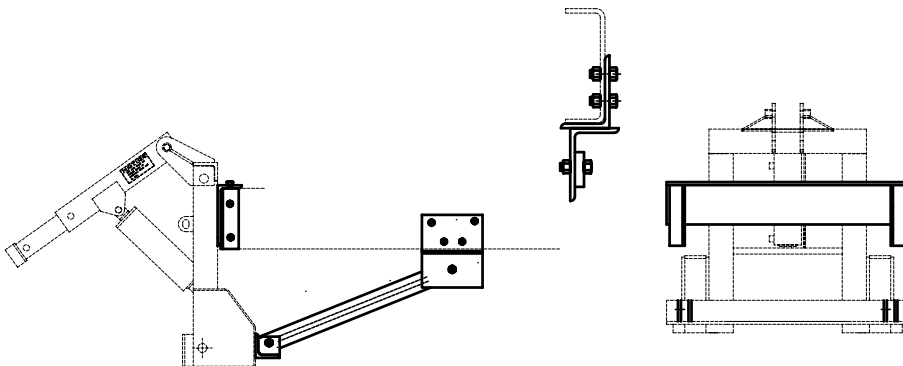
PIN & LOOP LOW PROFILE HITCH
Truck Portion



HUSTING HITCH
Plow Portion
29" & 34"



HUSTING HITCH
Truck Portion
29" & 34"



BUMPER TO FRAME KIT

Henderson Mfg. Inc.
P.O. Box 40
1085 South Third Street
Manchester, Iowa 52057
Phone: 563-927-2828 or 800-359-4970
FAX 563-927-2521
www.henderson-mfg.com

Henderson Mfg. Litho In USA • Henderson Mfg. Inc.
reserves the right In pursuit of continuous product
improvement to change specifications used herein.