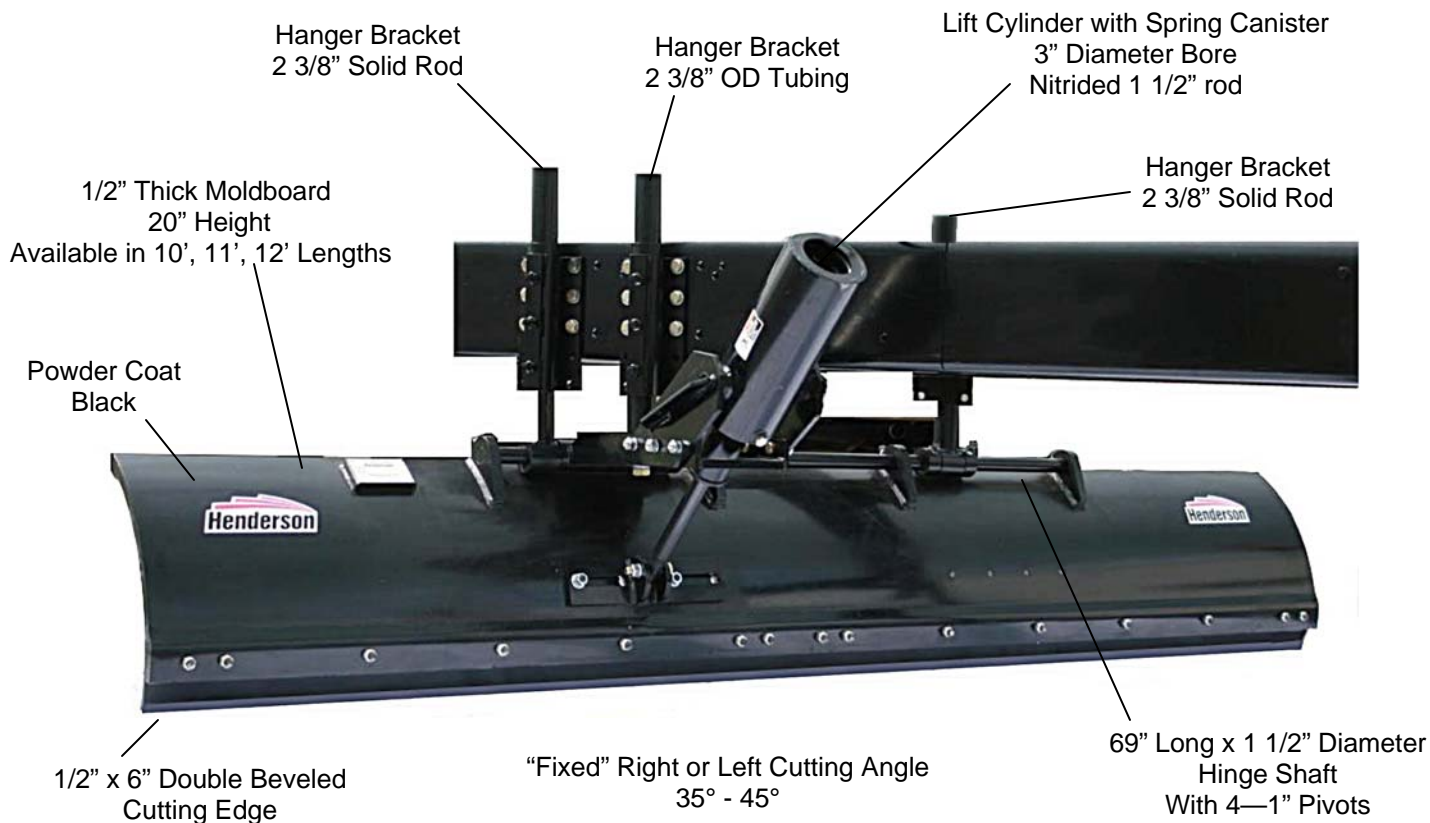


# Fixed Angle Underbody Scraper

SNOWFOE Series™



This rugged, fixed angle underbody scraper is designed to remove snow and ice at high speeds under the toughest conditions imaginable. Easy installation/removal and single lever operation, makes for ease of use. Then by removing unnecessary parts and simplifying the hydraulics, this SNOWFOE Fixed Angle Underbody Scraper is priced to fit within your budget. All from the ...

*The Dependable Ones*

Plow Model	HFA-UBS 10'	HFA-UBS 11'	HFA-UBS 12'	OPTIONS
Overall Length	10'	11'	12'	<ul style="list-style-type: none"> <li>• Relief Valve for Down Pressure</li> <li>• Wrap Around Curb Guard</li> <li>• 5/8" x 8" Curved Cutting Edge</li> <li>• 3/4" x 6" Curved Carbide Cutting Edge</li> <li>• Double lift canisters</li> <li>• 1" Thick Moldboard</li> </ul>
Overall Height	20"	20"	20"	
Cutting Width @ 45°	84"	93"	102"	
Moldboard Thickness	1/2"	1/2"	1/2"	

## HENDERSON MANUFACTURING, INC.

1085 S. 3rd Street - PO Box 40 - Manchester, IA 52057 - Phone (800)-359-4970 - [www.henderson-mfg.com](http://www.henderson-mfg.com)