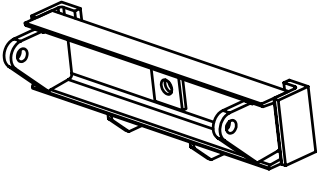
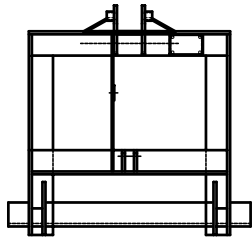


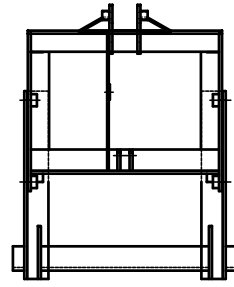
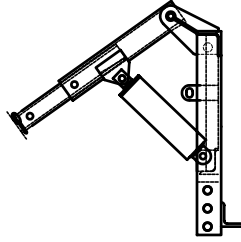
HENDERSON HITCHES



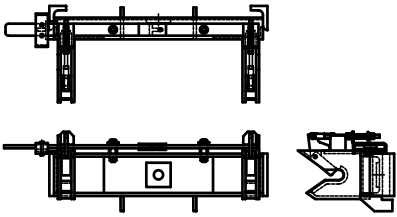
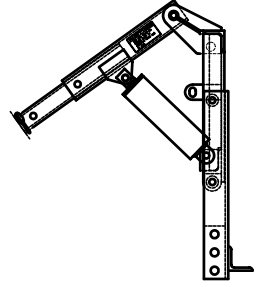
PIN HITCH
Plow Portion
21", 30.5" AND 33.5"



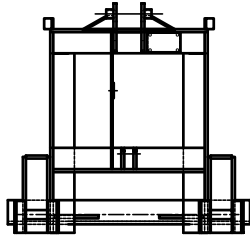
LOW PROFILE PIN HITCH
Truck Portion
30.5" - 33.5" - 21"/30.5" COMBO



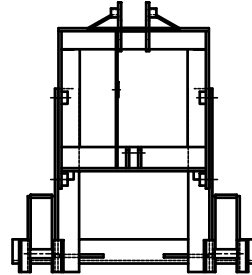
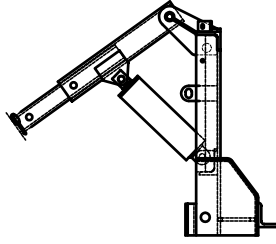
MANUAL TILT PIN HITCH
Truck Portion
30.5" - 33.5" - 21"/30.5" COMBO



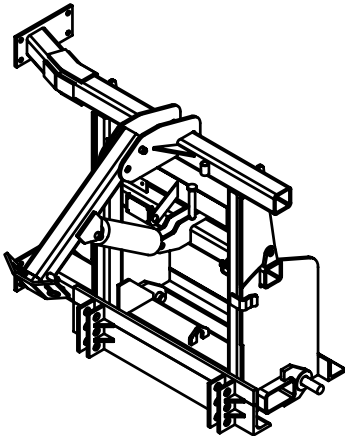
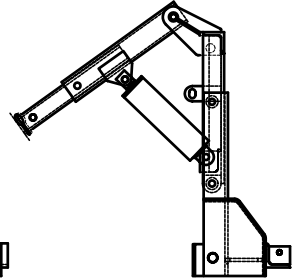
QUICK HITCH
Plow Portion
30.5" and 33.5"



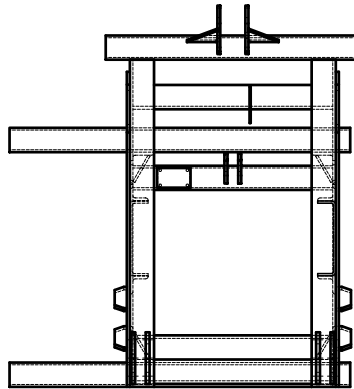
LOW PROFILE QUICK HITCH
Truck Portion
30.5" and 33.5"



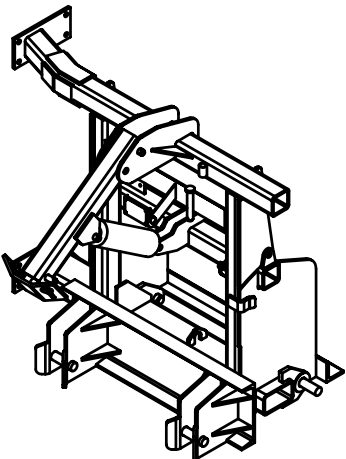
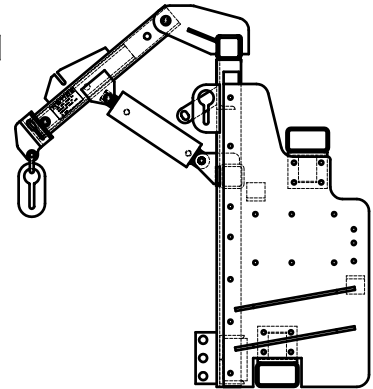
MANUAL TILT QUICK HITCH
Truck Portion
30.5" and 33.5"



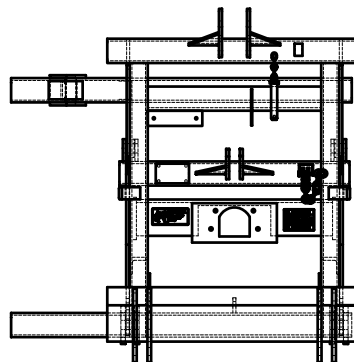
POWER TILT WING
PIN HITCH
Truck Portion



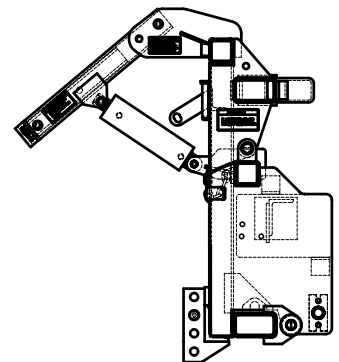
NON-TILT HD WING PIN HITCH
Truck Portion



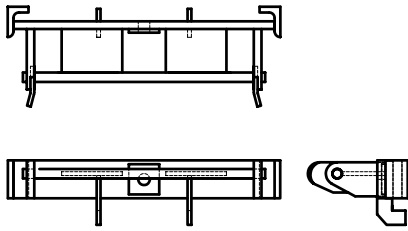
POWER TILT WING
QUICK HITCH
Truck Portion



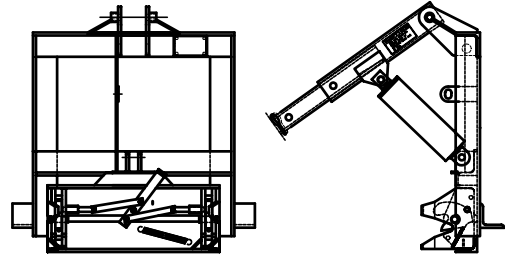
POWER TILT HD WING PIN HITCH
Truck Portion



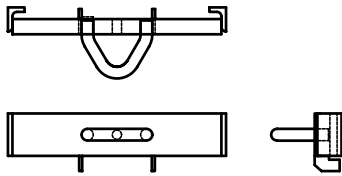
HENDERSON HITCHES



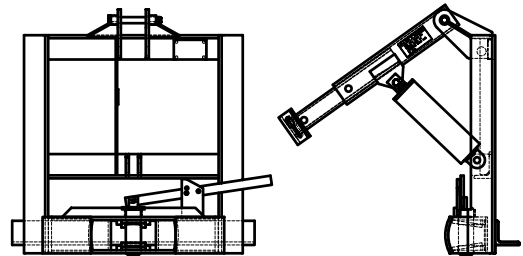
QUICK LINK
Plow Portion



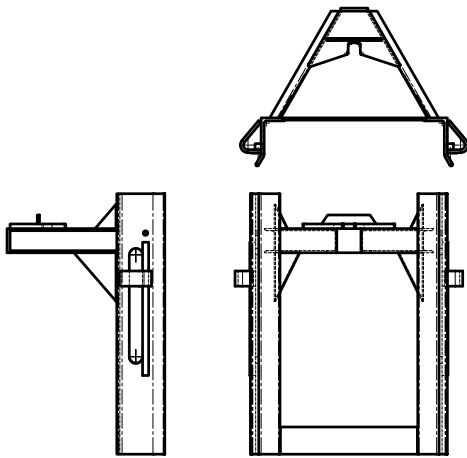
QUICK LINK
Truck Portion



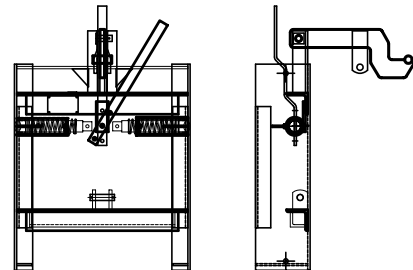
OSCILLATING LOOP
Plow Portion



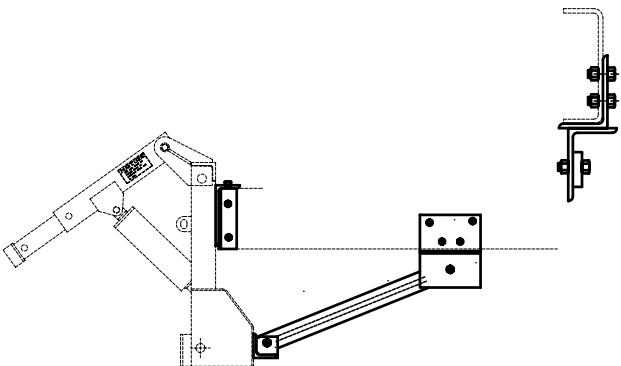
PIN & LOOP LOW PROFILE HITCH
Truck Portion



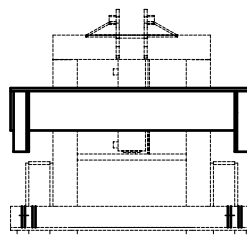
HUSTING HITCH
Plow Portion
29" & 34"



HUSTING HITCH
Truck Portion
29" & 34"



BUMPER TO FRAME KIT



Henderson

1085 S. Third St., Manchester, IA 52057
Toll Free: (800) 359-4970
www.hendersonproducts.com

© Henderson Products, Inc., a division of Douglas Dynamics, L.L.C., reserves the right in pursuit of continuous product improvement to change specifications used herein. As a custom manufacturer of truck bodies, truck equipment and brine systems, additional product options may be available that are not shown here.